



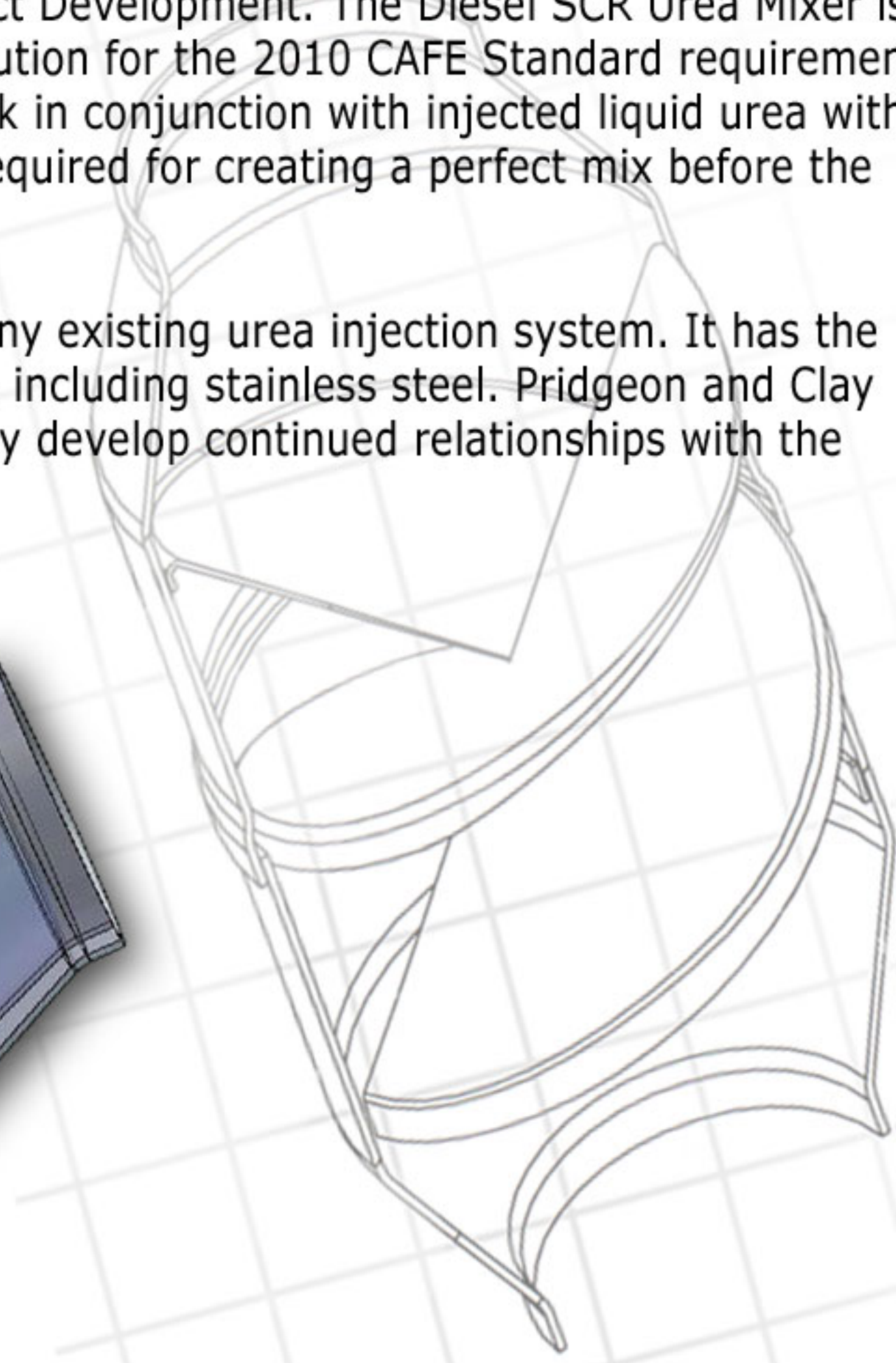
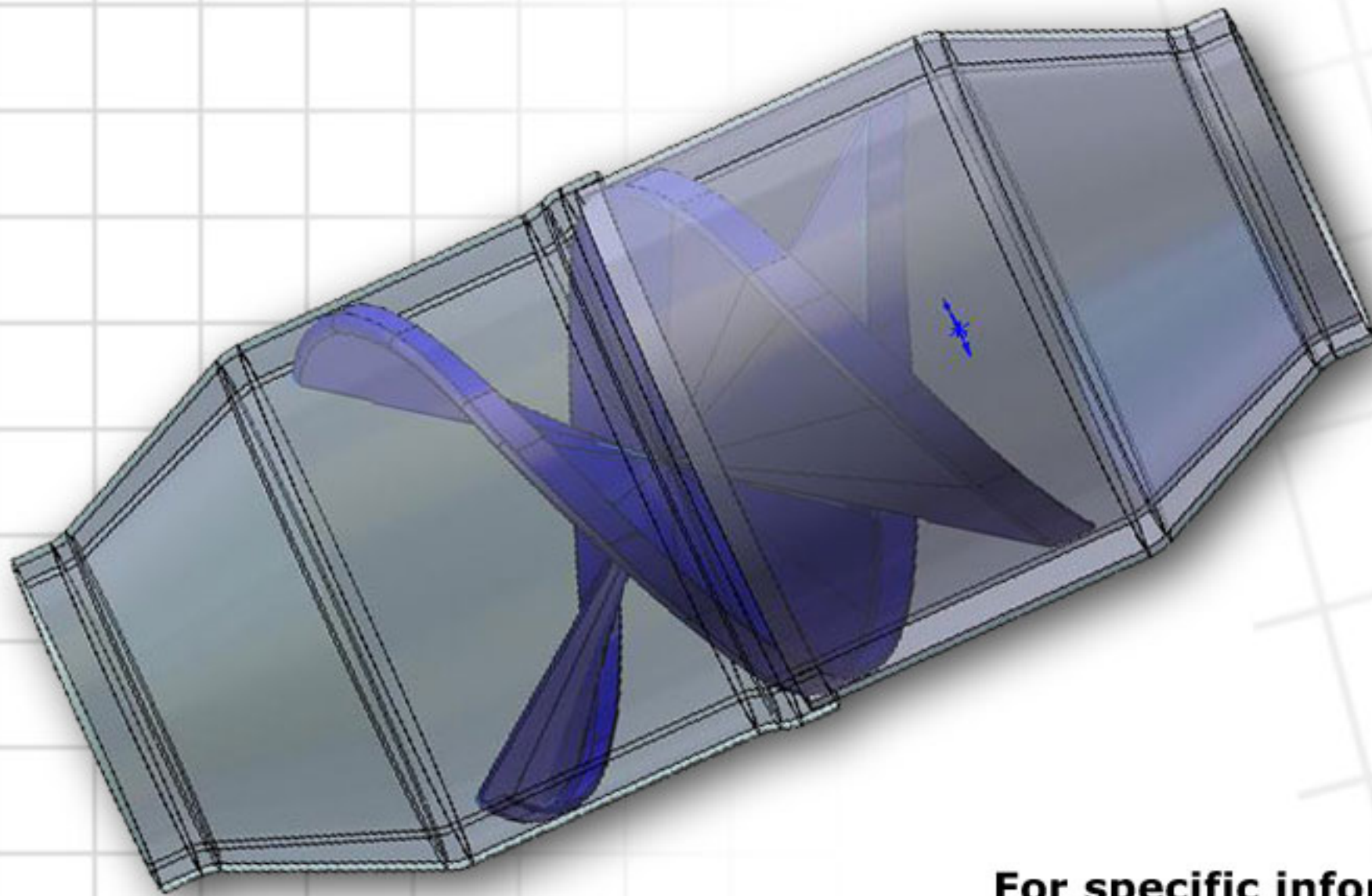
NEWS RELEASE

October 31, 2008

Pridgeon and Clay Receives Patent for Diesel SCR Urea Mixer.

Pridgeon and Clay has received another Patent for Product Development. The Diesel SCR Urea Mixer is a single stamping system that provides a cost effective solution for the 2010 CAFE Standard requirement for NOx emissions on all diesel vehicles. Designed to work in conjunction with injected liquid urea within the exhaust stream, the mixer provides the turbulence required for creating a perfect mix before the exhaust hits the selective catalytic converter.

The mixer is also scalable, allowing it to be bolted onto any existing urea injection system. It has the capability of being produced with any variety of material, including stainless steel. Pridgeon and Clay looks forward to utilizing this invention thoroughly as they develop continued relationships with the global diesel suppliers.



**For specific information regarding this
News Release, please contact:**

Kevin Clay

R&D/Prototype/Advanced Engineering/Account Manager

Phone: 616-252-2376 Fax: 616-248-4894

**PRIDGEON & CLAY Inc.
50 Cottage Grove S.W.
Grand Rapids, MI 49507**